

# LM20144 Evaluation Board

National Semiconductor  
Application Note 1692  
Dennis Hudgins  
October 30, 2007



## Introduction

The LM20144 is a full featured buck switching regulator capable of driving up to 4A of load current. The switching frequency of the LM20144 can be varied from 500kHz to 1.5MHz with an external resistor allowing the size of the power stage components to be reduced while still providing efficient operation. The LM20144 is capable of converting an input voltage between 2.95V and 5.5V down to an output voltage as low as 0.8V. Fault protection features include cycle-by-cycle current limit, output power good, and output over-voltage protection. The dual function soft-start/tracking pin can be used to control the startup response of the LM20144, and the precision enable pin can be used to easily sequence the LM20144 in applications with sequencing requirements. The LM20144 is available in an eTSSOP-16 package with an exposed pad for enhanced thermal performance.

The LM20144 evaluation board has been designed to balance overall solution size with the efficiency of the regulator. The evaluation board measures just under 1.3" x 1.1" on a two layer PCB, with all components placed on the top layer. The power stage and compensation components of the LM20144 evaluation board have been optimized for an input voltage of 5V and a switching frequency of 1 MHz, but for testing purposes, the input can be varied across the entire operating range. The output voltage of the evaluation board is nominally 1.2V, but this voltage can be easily changed by replacing one of the feedback resistors ( $R_{FB1}$  or  $R_{FB2}$ ). The control loop compensation of the LM20144 evaluation board has been designed to provide a stable solution over the entire input and output voltage range with a reasonable transient response. The EN pin must be above 1.18V (typ) on the board to initiate switching. If the EN function is not necessary, the EN pin should be externally tied to  $V_{IN}$ .

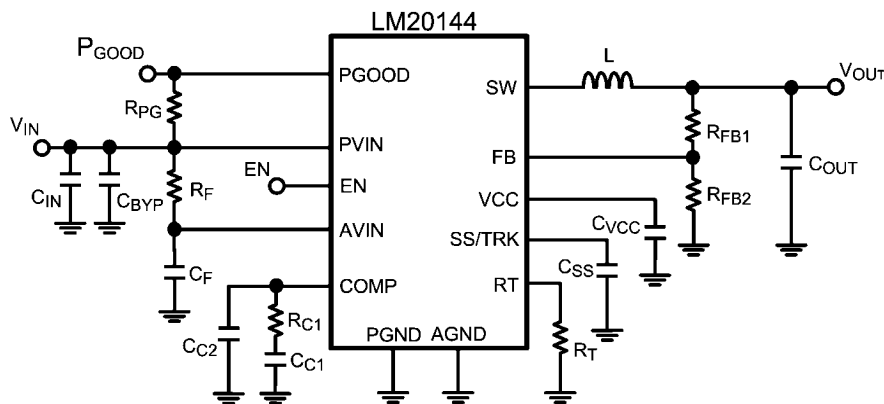


FIGURE 1. Evaluation Board Schematic

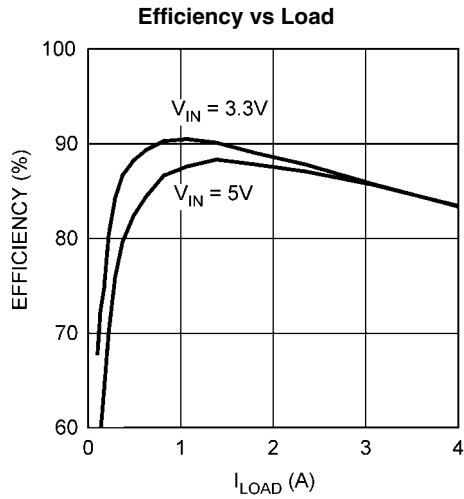
## Bill of Materials

Designator	Description	Part Number	Qty	Manufacturer
U1	Synchronous Buck Regulator	LM20144MH	1	National Semiconductor
C <sub>IN</sub>	100 $\mu$ F, 1210, X5R, 6.3V	GRM32ER60J107ME20	1	Murata
C <sub>BYP</sub>	1 $\mu$ F, 0603, X5R, 6.3V	GRM188R60J105KA01	1	Murata
C <sub>OUT</sub>	100 $\mu$ F, 1210, X5R, 6.3V	GRM32ER60J107ME20	1	Murata
L	1 $\mu$ H, 6 m $\Omega$	MSS1038-102NL	1	Coilcraft
R <sub>F</sub>	1 $\Omega$ , 0603	CRCW06031R0J-e3	1	Vishay-Dale
C <sub>F</sub>	100 nF, 0603, X7R, 16V	GRM188R71C104KA01	1	Murata
C <sub>VCC</sub>	1 $\mu$ F, 0603, X5R, 6.3V	GRM188R60J105KA01	1	Murata
R <sub>PG</sub>	10 k $\Omega$ , 0603	CRCW06031002F-e3	1	Vishay-Dale
R <sub>C1</sub>	3.09 k $\Omega$ , 0603	CRCW06033091F-e3	1	Vishay-Dale
C <sub>C1</sub>	3.3 nF, 0603, X7R, 25V	VJ0603Y332KXXA	1	Vishay-Vitramon
C <sub>C2</sub>	OPEN	OPEN	0	N/A
C <sub>SS</sub>	33 nF, 0603, X7R, 25V	VJ0603Y333KXXA	1	Vishay-Vitramon
R <sub>FB1</sub>	4.99 k $\Omega$ , 0603	CRCW06034991F-e3	1	Vishay-Dale
R <sub>FB2</sub>	10 k $\Omega$ , 0603	CRCW06031002F-e3	1	Vishay-Dale
R <sub>T</sub>	100 k $\Omega$ , 0603	CRCW06031003F-e3	1	Vishay-Dale
Test Points	Test Points	160-1026-02-01-00	7	Cambion

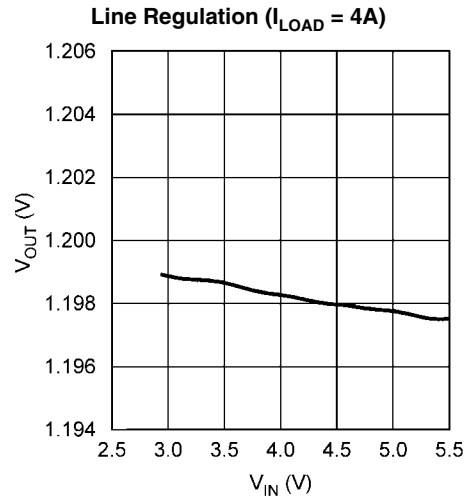
## Connection Descriptions

Terminal Silkscreen	Description
VIN	This terminal is the input voltage to the device. The device will operation over the input voltage range of 2.95V to 5.5V. The absolute maximum voltage rating for this pin is 6V.
GND	This terminal is the ground connection to the device. There are two different GND connections on the PCB. One should be used for the input supply and the other for the load.
VOUT	This terminal connects to the output voltage of the power supply and should be connected to the load.
EN	This terminal connects to the enable pin of the device. This terminal should be connected to V <sub>IN</sub> or driven externally. If driven externally, a voltage typically greater than 1.18V will enable the device. The operating voltage for this pin should not exceed 5.5V. The absolute maximum voltage rating on this pin is 6V.
SS/TRACK	This terminal provides access to the SS/TRK pin of the device. Connections to this terminal are not needed for most applications. The feedback pin of the device will track the voltage on the SS/TRK pin if it is driven with an external voltage source that is below the 0.8V reference. The voltage on this pin should not exceed 5.5V during normal operation. The absolute maximum voltage rating on this pin is 6V.
PGOOD	This terminal connects to the power good output of the device. There is a 10 k $\Omega$ pull-up resistor from this pin to the input voltage. The voltage on this pin should not exceed 5.5V during normal operation and has an absolute maximum voltage rating of 6V.

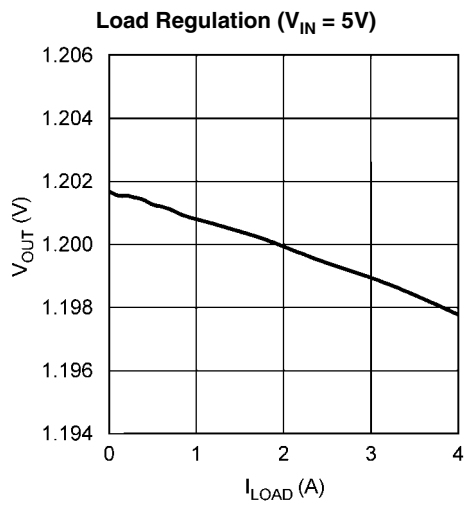
# Performance Characteristics



30033015

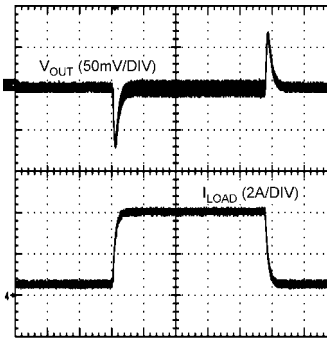


30033016



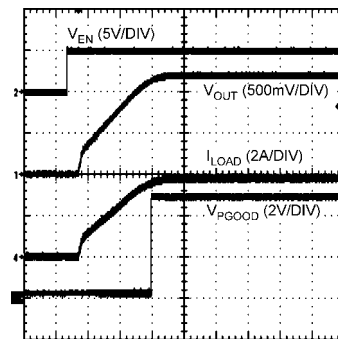
30033017

**0.5A to 4A Load Transient Response (200  $\mu s$ /DIV)**



30033019

**Startup Waveform (2ms/DIV)**



30033020

## Component Selection

This section provides a walk-through of the design process of the LM20144 evaluation board. Unless otherwise indicated all equations assume units of Amps (A) for current, Farads (F) for capacitance, Henries (H) for inductance, and Volts (V) for voltages.

### INPUT CAPACITOR

The required RMS current rating of the input capacitor for a buck regulator can be estimated by the following equation:

$$I_{CIN(RMS)} = I_{OUT} \sqrt{D(1-D)}$$

The variable D refers to the duty cycle, and can be approximated by:

$$D = \frac{V_{OUT}}{V_{IN}}$$

From this equation, it follows that the maximum  $I_{CIN(RMS)}$  requirement will occur at a full 4A load current with the system operating at 50% duty cycle. Under this condition, the maximum  $I_{CIN(RMS)}$  is given by:

$$I_{CIN(RMS)} = 4A \sqrt{0.5 \times 0.5} = 2.0A$$

Ceramic capacitors feature a very large  $I_{RMS}$  rating in a small footprint, making a ceramic capacitor ideal for this application. A 100  $\mu$ F X5R ceramic capacitor from Murata with a 5.4A  $I_{RMS}$  rating provides the necessary input capacitance for the evaluation board. For improved bypassing, a small 1  $\mu$ F high frequency capacitor is placed in parallel with the 100  $\mu$ F bulk capacitor to filter high frequency noise pulses on the supply.

### AVIN FILTER

An RC filter should be added to prevent any switching noise on PVIN from interfering with the internal analog circuitry connected to AVIN. These can be seen on the schematic as components  $R_F$  and  $C_F$ . There is a practical limit to the size of the resistor  $R_F$  as the AVIN pin will draw a short 60mA burst of current during startup, and if  $R_F$  is too large the resulting voltage drop can trigger the UVLO comparator. For the demo board a 1 $\Omega$  resistor is used for  $R_F$  ensuring that UVLO will not be triggered after the part is enabled. A recommended 1  $\mu$ F  $C_F$  capacitor coupled with the 1 $\Omega$  resistor provides roughly 16dB of attenuation at a 1MHz switching frequency.

### INDUCTOR

As per the datasheet recommendations, the inductor value should initially be chosen to give a peak to peak ripple current equal to roughly 30% of the maximum output current. The peak to peak inductor ripple current can be calculated by the equation:

$$\Delta I_{P-P} = \frac{(V_{IN} - V_{OUT}) \times D}{L \times f_{SW}}$$

Rearranging this equation and solving for the inductance reveals that for this application ( $V_{IN} = 5V$ ,  $V_{OUT} = 1.2V$ ,  $f_{SW} = 1$  MHz, and  $I_{OUT} = 4A$ ) the nominal inductance value is roughly 0.76  $\mu$ H. Rounding up to the nearest standard inductor value, a final inductance of 1  $\mu$ H is selected. This results in a peak-

to-peak ripple current of 912 mA and 1.122A when the converter is operating from 5V and 3.3V respectively. Once an inductance value is calculated, an actual inductor needs to be selected based on a trade-off between physical size, efficiency, and current carrying capability. For the LM20144 evaluation board, a Coilcraft MSS1038-102NL inductor offers a good balance between efficiency (6 m $\Omega$  DCR), size, and saturation current rating (9A  $I_{SAT}$  rating).

### OUTPUT CAPACITOR

The value of the output capacitor in a buck regulator influences the voltage ripple that will be present on the output voltage, as well as the large signal output voltage response to a load transient. Given the peak-to-peak inductor current ripple ( $\Delta I_{P-P}$ ) the output voltage ripple can be approximated by the equation:

$$\Delta V_{OUT} = \Delta I_{P-P} \times \left[ R_{ESR} + \frac{1}{8 \times f_{SW} \times C_{OUT}} \right]$$

The variable  $R_{ESR}$  above refers to the ESR of the output capacitor. As can be seen in the above equation, the ripple voltage on the output can be divided into two parts, one of which is attributed to the AC ripple current flowing through the ESR of the output capacitor and another due to the AC ripple current actually charging and discharging the output capacitor. The output capacitor also has an effect on the amount of droop that is seen on the output voltage in response to a load transient event.

For the evaluation board, a Murata 100  $\mu$ F ceramic capacitor is selected for the output capacitor to provide good transient and DC performance in a relatively small package. From the technical specifications of this capacitor, the ESR is roughly 2 m $\Omega$ , and the effective in-circuit capacitance is approximately 55  $\mu$ F (reduced from 100  $\mu$ F due to the 1.2V DC bias). With these values, the peak to peak voltage ripple on the output when operating from a 5V input can be calculated to be 3.9 mV.

### $C_{SS}$

A soft-start capacitor can be used to control the startup time of the LM20144 voltage regulator. The startup time of the regulator when using a soft-start capacitor can be estimated by the following equation:

$$t_{SS} = \frac{0.8V \times C_{SS}}{I_{SS}}$$

For the LM20144,  $I_{SS}$  is nominally 5  $\mu$ A. For the evaluation board, the soft-start time has been designed to be roughly 5 ms, resulting in a  $C_{SS}$  capacitor value of 33 nF.

### $C_{VCC}$

The  $C_{VCC}$  capacitor is necessary to bypass an internal 2.7V subregulator. This capacitor should be sized equal to or greater than 1  $\mu$ F, but less than 10  $\mu$ F. A value of 1  $\mu$ F is sufficient for most applications.

### $C_{C1}$

The capacitor  $C_{C1}$  is used to set the crossover frequency of the LM20144 control loop. Since this board was optimized to work well over the full input and output voltage range, the value of  $C_{C1}$  was selected to be 3.3 nF. Once the operating conditions for the device are known, the transient response

can be optimized by reducing the value of  $C_{C1}$  and calculating the value for  $R_{C1}$  as outlined in the next section.

#### $R_{C1}$

Once the value of  $C_{C1}$  is known, resistor  $R_{C1}$  is used to place a zero in the control loop to cancel the output filter pole. This resistor can be sized according to the equation:

$$R_{C1} = \left[ \frac{C_{C1}}{C_{OUT}} \times \left[ \frac{I_{OUT}}{V_{OUT}} + \frac{1-D}{f_{SW} \times L} + \frac{15 \times D}{V_{IN}} \right] \right]^{-1}$$

For stability purposes the device should be compensated for the maximum output current expected in the application.

#### $C_{C2}$

A second compensation capacitor  $C_{C2}$  can be used in some designs to provide a high frequency pole, useful for cancelling a possible zero introduced by the ESR of the output capacitor. For the LM20144 evaluation board, the  $C_{C2}$  footprint is unpopulated, as the low ESR ceramic capacitor used on the output does not contribute a zero to the control loop before the crossover frequency. If the ceramic capacitor on the evaluation board is replaced with a different capacitor having significant ESR, the required value of the capacitor  $C_{C2}$  can be estimated by the equation:

$$C_{C2} = \frac{C_{OUT} \times R_{ESR}}{R_{C1}}$$

#### $R_T$

The value for  $R_T$  will set the operating frequency of the device. For this evaluation board a value of 100 k $\Omega$  was chosen which sets oscillator frequency to 1 MHz. The value of  $R_T$  can be adjusted to support operating frequencies from 500 kHz to 1.5 MHz by using the equation:

$$R_T = \left( \frac{154750}{f_{SW}} \right) - 55$$

Where,  $f_{SW}$  is the switching frequency in kHz, and  $R_T$  is the frequency adjust resistor in k $\Omega$ .

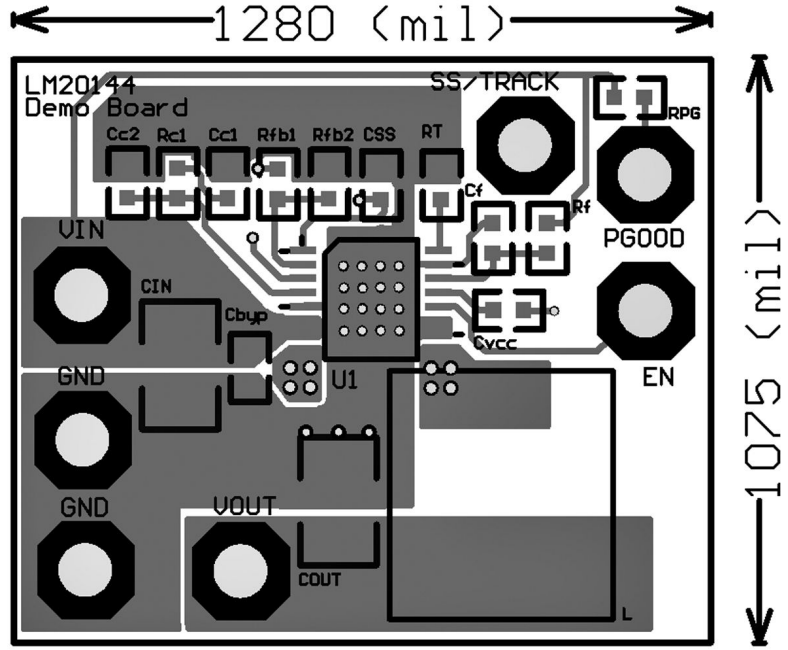
#### $R_{FB1}$ and $R_{FB2}$

The resistors labeled  $R_{FB1}$  and  $R_{FB2}$  create a voltage divider from  $V_{OUT}$  to the feedback pin that is used to set the output of the voltage regulator. Nominally, the output of the LM20144 evaluation board is set to 1.2V, giving resistor values of  $R_{FB1} = 4.99$  k $\Omega$  and  $R_{FB2} = 10$  k $\Omega$ . If a different output voltage is required, the value of  $R_{FB1}$  can be adjusted according to the equation:

$$R_{FB1} = \left( \frac{V_{OUT}}{0.8} - 1 \right) \times R_{FB2}$$

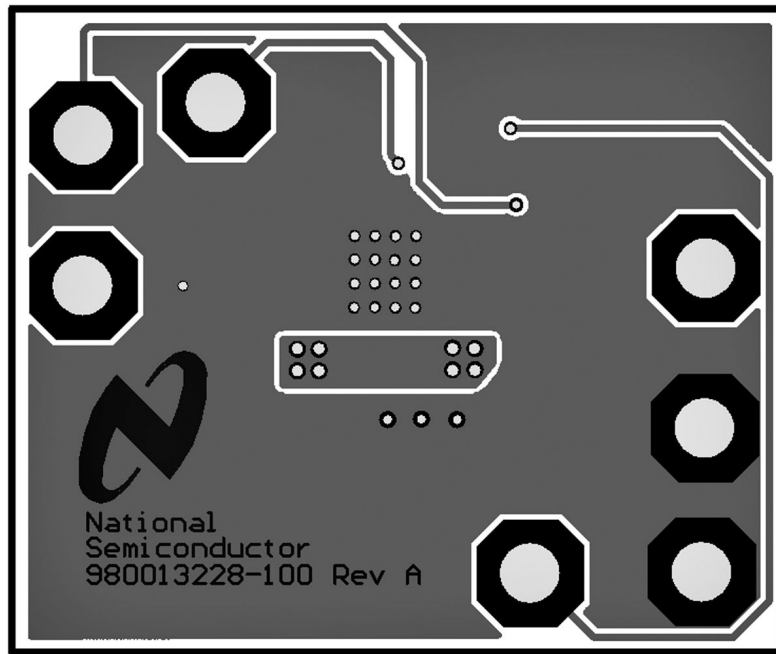
$R_{FB2}$  does not need to be changed from its value of 10 k $\Omega$ .

# PCB Layout



30033013

Top Layer



30033014

Bottom Layer

# Notes

AN-1692

## Notes

For more National Semiconductor product information and proven design tools, visit the following Web sites at:

Products		Design Support	
Amplifiers	<a href="http://www.national.com/amplifiers">www.national.com/amplifiers</a>	WEBENCH	<a href="http://www.national.com/webench">www.national.com/webench</a>
Audio	<a href="http://www.national.com/audio">www.national.com/audio</a>	Analog University	<a href="http://www.national.com/AU">www.national.com/AU</a>
Clock Conditioners	<a href="http://www.national.com/timing">www.national.com/timing</a>	App Notes	<a href="http://www.national.com/appnotes">www.national.com/appnotes</a>
Data Converters	<a href="http://www.national.com/adc">www.national.com/adc</a>	Distributors	<a href="http://www.national.com/contacts">www.national.com/contacts</a>
Displays	<a href="http://www.national.com/displays">www.national.com/displays</a>	Green Compliance	<a href="http://www.national.com/quality/green">www.national.com/quality/green</a>
Ethernet	<a href="http://www.national.com/ethernet">www.national.com/ethernet</a>	Packaging	<a href="http://www.national.com/packaging">www.national.com/packaging</a>
Interface	<a href="http://www.national.com/interface">www.national.com/interface</a>	Quality and Reliability	<a href="http://www.national.com/quality">www.national.com/quality</a>
LVDS	<a href="http://www.national.com/lvds">www.national.com/lvds</a>	Reference Designs	<a href="http://www.national.com/refdesigns">www.national.com/refdesigns</a>
Power Management	<a href="http://www.national.com/power">www.national.com/power</a>	Feedback	<a href="http://www.national.com/feedback">www.national.com/feedback</a>
Switching Regulators	<a href="http://www.national.com/switchers">www.national.com/switchers</a>		
LDOs	<a href="http://www.national.com/ldo">www.national.com/ldo</a>		
LED Lighting	<a href="http://www.national.com/led">www.national.com/led</a>		
PowerWise	<a href="http://www.national.com/powerwise">www.national.com/powerwise</a>		
Serial Digital Interface (SDI)	<a href="http://www.national.com/sdi">www.national.com/sdi</a>		
Temperature Sensors	<a href="http://www.national.com/tempsensors">www.national.com/tempsensors</a>		
Wireless (PLL/VCO)	<a href="http://www.national.com/wireless">www.national.com/wireless</a>		

THE CONTENTS OF THIS DOCUMENT ARE PROVIDED IN CONNECTION WITH NATIONAL SEMICONDUCTOR CORPORATION ("NATIONAL") PRODUCTS. NATIONAL MAKES NO REPRESENTATIONS OR WARRANTIES WITH RESPECT TO THE ACCURACY OR COMPLETENESS OF THE CONTENTS OF THIS PUBLICATION AND RESERVES THE RIGHT TO MAKE CHANGES TO SPECIFICATIONS AND PRODUCT DESCRIPTIONS AT ANY TIME WITHOUT NOTICE. NO LICENSE, WHETHER EXPRESS, IMPLIED, ARISING BY ESTOPPEL OR OTHERWISE, TO ANY INTELLECTUAL PROPERTY RIGHTS IS GRANTED BY THIS DOCUMENT.

TESTING AND OTHER QUALITY CONTROLS ARE USED TO THE EXTENT NATIONAL DEEMS NECESSARY TO SUPPORT NATIONAL'S PRODUCT WARRANTY. EXCEPT WHERE MANDATED BY GOVERNMENT REQUIREMENTS, TESTING OF ALL PARAMETERS OF EACH PRODUCT IS NOT NECESSARILY PERFORMED. NATIONAL ASSUMES NO LIABILITY FOR APPLICATIONS ASSISTANCE OR BUYER PRODUCT DESIGN. BUYERS ARE RESPONSIBLE FOR THEIR PRODUCTS AND APPLICATIONS USING NATIONAL COMPONENTS. PRIOR TO USING OR DISTRIBUTING ANY PRODUCTS THAT INCLUDE NATIONAL COMPONENTS, BUYERS SHOULD PROVIDE ADEQUATE DESIGN, TESTING AND OPERATING SAFEGUARDS.

EXCEPT AS PROVIDED IN NATIONAL'S TERMS AND CONDITIONS OF SALE FOR SUCH PRODUCTS, NATIONAL ASSUMES NO LIABILITY WHATSOEVER, AND NATIONAL DISCLAIMS ANY EXPRESS OR IMPLIED WARRANTY RELATING TO THE SALE AND/OR USE OF NATIONAL PRODUCTS INCLUDING LIABILITY OR WARRANTIES RELATING TO FITNESS FOR A PARTICULAR PURPOSE, MERCHANTABILITY, OR INFRINGEMENT OF ANY PATENT, COPYRIGHT OR OTHER INTELLECTUAL PROPERTY RIGHT.

### LIFE SUPPORT POLICY

**NATIONAL'S PRODUCTS ARE NOT AUTHORIZED FOR USE AS CRITICAL COMPONENTS IN LIFE SUPPORT DEVICES OR SYSTEMS WITHOUT THE EXPRESS PRIOR WRITTEN APPROVAL OF THE CHIEF EXECUTIVE OFFICER AND GENERAL COUNSEL OF NATIONAL SEMICONDUCTOR CORPORATION.** As used herein:

Life support devices or systems are devices which (a) are intended for surgical implant into the body, or (b) support or sustain life and whose failure to perform when properly used in accordance with instructions for use provided in the labeling can be reasonably expected to result in a significant injury to the user. A critical component is any component in a life support device or system whose failure to perform can be reasonably expected to cause the failure of the life support device or system or to affect its safety or effectiveness.

National Semiconductor and the National Semiconductor logo are registered trademarks of National Semiconductor Corporation. All other brand or product names may be trademarks or registered trademarks of their respective holders.

Copyright© 2007 National Semiconductor Corporation

For the most current product information visit us at [www.national.com](http://www.national.com)



**National Semiconductor  
Americas Customer  
Support Center**  
Email:  
[new.feedback@nsc.com](mailto:new.feedback@nsc.com)  
Tel: 1-800-272-9959

**National Semiconductor Europe  
Customer Support Center**  
Fax: +49 (0) 180-530-85-86  
Email: [europe.support@nsc.com](mailto:europe.support@nsc.com)  
Deutsch Tel: +49 (0) 69 9508 6208  
English Tel: +49 (0) 870 24 0 2171  
Français Tel: +33 (0) 1 41 91 8790

**National Semiconductor Asia  
Pacific Customer Support Center**  
Email: [ap.support@nsc.com](mailto:ap.support@nsc.com)

**National Semiconductor Japan  
Customer Support Center**  
Fax: 81-3-5639-7507  
Email: [jpn.feedback@nsc.com](mailto:jpn.feedback@nsc.com)  
Tel: 81-3-5639-7560